

Mounted Unit

BEARING DIMENSIONS

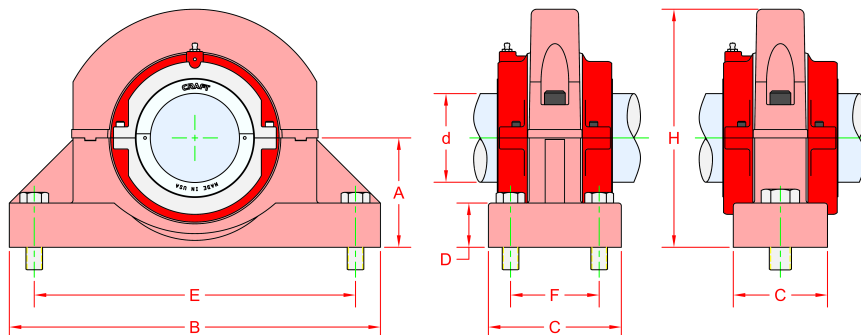
| Shaft Diameter | Complete* Component | Pedestal Housing | A** | B | C‡ | D | E | | F | H | Bolts | Weight lbs. |
|----------------------------------------------------------------|------------------------------------------------------------------------------------------------------|--------------------------------|---------|--------|--------------------|--------|-----------------------|-----------------------|----------------|---------|-------------------------|------------------|
| | | | | | | | Minimum | Maximum | | | | |
| 1 7/16 1 1/2 35 mm 40 mm | S1 BCH 107 S1 BCH 108 S1 BCH 35mm S1 BCH 40mm | PH 1 | 2 3/8 | 9 | 2 3/8 | 8-Jul | 6 3/4 | 7 1/2 | - | 5 1/2 | Two 1/2 | 11.05 |
| 1 11/16 1 3/4 1 15/16 2 45 mm 50 mm | S1 BCH 111 S1 BCH 112 S1 BCH 115 S1 BCH 200 S1 BCH 45mm S1 BCH 50mm | PH 2 | 2 3/4 | 10 5/8 | 2 3/8 | 1 | 8 | 8 7/8 | - | 6 1/4 | Two 5/8 | 18.5 |
| 2 3/16 2 1/4 2 7/16 2 1/2 55 mm 60 mm 65 mm | S1 BCH 203 S1 BCH 204 S1 BCH 207 S1 BCH 208 S1 BCH 55mm S1 BCH 60mm S1 BCH 65mm | PH 3 | 3 5/32 | 11 | 2 3/4 | 1 1/4 | 8 7/8 | 9 1/2 | - | 7 | Two 3/4 | 25.4 |
| 2 11/16 2 3/4 2 15/16 3 70 mm 75 mm | S1 BCH 211 S1 BCH 212 S1 BCH 215 S1 BCH 300 S1 BCH 70mm S1 BCH 75mm | PH 4 | 3 3/4 | 13 | 3 | 1 1/2 | 10 1/4 | 11 | - | 7 7/8 | Two 3/4 | 33 |
| 3 3/16 3 1/4 3 7/16 3 1/2 80 mm 85 mm 90 mm | S1 BCH 303 S1 BCH 304 S1 BCH 307 S1 BCH 308 S1 BCH 80mm S1 BCH 85mm S1 BCH 90mm | PH 5 2B PH 5 4B | 4 13/32 | 15 | 3 1/2 5 1/2 | 1 3/4 | 12 3/16 12 3/8 | 13 3/16 13 3/8 | - 3 1/2 | 10 1/16 | Two 3/4 Four 3/4 | 58 64.3 |
| 3 11/16 3 3/4 3 15/16 4 100 mm 105 mm | S1 BCH 311 S1 BCH 312 S1 BCH 315 S1 BCH 400 S1 BCH 100mm S1 BCH 105mm | PH 6 2B PH 6 4B | 4 15/16 | 16 3/4 | 4 1/4 6 | 2 | 13 1/2 14 | 14 7/8 15 | - 4 | 10 3/4 | Two 3/4 Four 3/4 | 75.2 83.6 |
| 4 3/16 4 1/4 4 7/16 4 1/2 110 mm 115 mm | S1 BCH 403 S1 BCH 404 S1 BCH 407 S1 BCH 408 S1 BCH 110mm S1 BCH 115mm | PH 7 | 5 5/8 | 18 3/4 | 6 3/4 | 2 3/8 | 15 3/4 | 16 11/16 | 4 1/2 | 12 3/8 | Four 3/4 | 110 |
| 4 11/16 4 3/4 4 15/16 5 120 mm 125 mm 130 mm | S1 BCH 411 S1 BCH 412 S1 BCH 415 S1 BCH 500 S1 BCH 120mm S1 BCH 125mm S1 BCH 130mm | PH 8 | 6 3/8 | 20 | 7 | 1 1/2 | 17 1/4 | 18 3/16 | 4 3/4 | 14 | Four 7/8 | 175.9 |
| 5 3/16 5 1/4 5 7/16 5 1/2 135 mm 140 mm | S1 BCH 503 S1 BCH 504 S1 BCH 507 S1 BCH 508 S1 BCH 135mm S1 BCH 140mm | PH 9 | 7 1/8 | 22 | 7 | 1 9/16 | 18 1/2 | 19 1/2 | 4 3/4 | 15 1/2 | Four 7/8 | 201.4 |
| 5 15/16 6 150 mm 155 mm 160 mm | S1 BCH 515 S1 BCH 600 S1 BCH 150mm S1 BCH 155mm S1 BCH 160mm | PH 10 | 7 1/8 | 22 | 7 | 1 5/8 | 18 1/2 | 20 1/2 | 4 3/4 | 15 3/4 | Four 7/8 | 224.5 |

* Specify Suffix – FL for float bearing, HD for held bearing

Special application bearings are available upon request.
‡ Housing width only

Dimensions in inches
Normal operating temperature for standard bearings is 32°F to 212°F

** Base to center height can be altered upon request



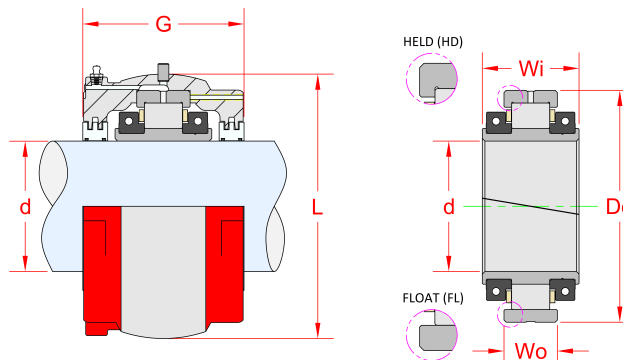
Cartridge Assembly

| Shaft Diameter | Cartridge* Assembly | Cartridge | L | G‡ | Weight lbs. | Grease Capacity |
|----------------------------------------------------------------|-----------------------------------------------------------------------------------------------|-----------|---------|--------|-------------|-----------------|
| 1 7/16 1 1/2 35 mm 40 mm | S1 BC 107 S1 BC 108 S1 BC 35mm S1 BC 40mm | S1 C 108 | 3 15/16 | 3 5/16 | 6.9 | 2.0 oz |
| 1 11/16 1 3/4 1 15/16 2 45 mm 50 mm | S1 BC 111 S1 BC 112 S1 BC 115 S1 BC 200 S1 BC 45mm S1 BC 50mm | S1 C 200 | 4 5/8 | 3 3/4 | 9.2 | 3.2 oz |
| 2 3/16 2 1/4 2 7/16 2 1/2 55 mm 60 mm 65 mm | S1 BC 203 S1 BC 204 S1 BC 207 S1 BC 208 S1 BC 55mm S1 BC 60mm S1 BC 65mm | S1 C 208 | 5 5/16 | 4 | 11.6 | 5.2 oz |
| 2 11/16 2 3/4 2 15/16 3 70 mm 75 mm | S1 BC 211 S1 BC 212 S1 BC 215 S1 BC 300 S1 BC 70mm S1 BC 75mm | S1 C 300 | 6 3/16 | 4 3/8 | 18.5 | 6.2 oz |
| 3 3/16 3 1/4 3 7/16 3 1/2 80 mm 85 mm 90 mm | S1 BC 303 S1 BC 304 S1 BC 307 S1 BC 308 S1 BC 80mm S1 BC 85mm S1 BC 90mm | S1 C 308 | 7 | 5 3/16 | 25.5 | 10.5 oz |
| 3 11/16 3 3/4 3 15/16 4 100 mm 105 mm | S1 BC 311 S1 BC 312 S1 BC 315 S1 BC 400 S1 BC 100mm S1 BC 105mm | S1 C 400 | 8 | 5 3/16 | 32.3 | 12.5 oz |
| 4 3/16 4 1/4 4 7/16 4 1/2 110 mm 115 mm | S1 BC 403 S1 BC 404 S1 BC 407 S1 BC 408 S1 BC 110mm S1 BC 115mm | S1 C 408 | 9 1/8 | 5 9/16 | 48.6 | 1.2 lbs |
| 4 11/16 4 3/4 4 15/16 5 120 mm 125 mm 130 mm | S1 BC 411 S1 BC 412 S1 BC 415 S1 BC 500 S1 BC 120mm S1 BC 125mm S1 BC 130mm | S1 C 500 | 10 1/2 | 6 1/16 | 71.7 | 1.4 lbs |
| 5 3/16 5 1/4 5 7/16 5 1/2 135 mm 140 mm | S1 BC 503 S1 BC 504 S1 BC 507 S1 BC 508 S1 BC 135mm S1 BC 140mm | S1 C 508 | 11 | 6 9/16 | 81.1 | 1.8 lbs |
| 5 15/16 6 150 mm 155 mm 160 mm | S1 BC 515 S1 BC 600 S1 BC 150mm S1 BC 155mm S1 BC 160mm | S1 C 600 | 11 5/8 | 6 3/4 | 97 | 2.0 lbs |

* Specify Suffix – FL for float bearing,
HD for held bearing
** Based on Axial Capacity at 1000 RPM.

‡ Length through bore.

Dimensions in inches



Roller Bearing

| Bearing* | Bearing Rating lbs. | | | Max RPM | Do | Wi | Wo | Weight lbs. |
|----------------------------------------------------------------------------------------|---------------------|-----------|------------|---------|-------|-------|-------|-------------|
| | Dynamic Cr | Static Co | Axial Ca** | | | | | |
| S1 B 107 S1 B 108 S1 B 35mm S1 B 40mm | 13870 | 15560 | 285 | 5420 | 3.313 | 1.972 | 0.938 | 2.3 |
| S1 B 111 S1 B 112 S1 B 115 S1 B 200 S1 B 45mm S1 B 50mm | 18291 | 22496 | 326 | 4456 | 3.875 | 2.192 | 1.000 | 3.5 |
| S1 B 203 S1 B 204 S1 B 207 S1 B 208 S1 B 55mm S1 B 60mm S1 B 65mm | 20255 | 24851 | 351 | 3750 | 4.5 | 2.192 | 1.063 | 3.5 |
| S1 B 211 S1 B 212 S1 B 215 S1 B 300 S1 B 70mm S1 B 75mm | 29843 | 40077 | 433 | 3190 | 5.25 | 2.41 | 1.25 | 6 |
| S1 B 303 S1 B 304 S1 B 307 S1 B 308 S1 B 80mm S1 B 85mm S1 B 90mm | 37552 | 52749 | 453 | 2740 | 6 | 2.781 | 1.531 | 9.2 |
| S1 B 311 S1 B 312 S1 B 315 S1 B 400 S1 B 100mm S1 B 105mm | 51215 | 73061 | 552 | 2400 | 6.875 | 3.188 | 1.781 | 13.9 |
| S1 B 403 S1 B 404 S1 B 407 S1 B 408 S1 B 110mm S1 B 115mm | 63207 | 94628 | 654 | 2140 | 8 | 3.342 | 1.844 | 20.8 |
| S1 B 411 S1 B 412 S1 B 415 S1 B 500 S1 B 120mm S1 B 125mm S1 B 130mm | 72821 | 111390 | 685 | 1940 | 8.75 | 3.531 | 2.125 | 25.5 |
| S1 B 503 S1 B 504 S1 B 507 S1 B 508 S1 B 135mm S1 B 140mm | 80703 | 124806 | 717 | 1780 | 9.5 | 3.875 | 2.188 | 32.4 |
| S1 B 515 S1 B 600 S1 B 150mm S1 B 155mm S1 B 160mm | 87598 | 141757 | 762 | 1670 | 10 | 3.875 | 2.188 | 37.1 |

Mounted Unit

BEARING DIMENSIONS

| Shaft Diameter | Complete* Component | Pedestal Housing | A** | B | C‡ | D | E | | F | H | Bolts | Weight lbs. |
|----------------------------------------------|---------------------------------------------------------------------------|------------------|--------|--------|-------|-------|----------|---------|--------|---------|------------|-------------|
| | | | | | | | Minimum | Maximum | | | | |
| 6 7/16 6 1/2 160 mm 165 mm | S1 BCH 607 S1 BCH 608 S1 BCH 160mm S1 BCH 165mm | PH 11 | 8 3/8 | 20 | 7 | 1 1/4 | 14 | 15 | 4 1/2 | 17 | Four 1 | 236 |
| 6 11/16 6 15/16 7 170 mm 180 mm | S1 BCH 611 S1 BCH 615 S1 BCH 700 S1 BCH 170mm S1 BCH 180mm | PH 12 | 9 1/4 | 21 | 7 1/2 | 1 3/8 | 14 3/8 | 15 3/4 | 5 | 18 1/2 | Four 1 | 283 |
| 7 1/2 7 15/16 8 190 mm 200 mm | S1 BCH 708 S1 BCH 715 S1 BCH 800 S1 BCH 190mm S1 BCH 200mm | PH 13 | 9 3/4 | 22 1/2 | 8 | 1 1/2 | 16 1/8 | 17 1/8 | 5 1/2 | 19 1/2 | Four 1 | 321 |
| 8 1/2 8 15/16 9 220 mm | S1 BCH 808 S1 BCH 815 S1 BCH 900 S1 BCH 220mm | PH 14 | 10 5/8 | 25 | 8 1/2 | 1 5/8 | 17 3/8 | 18 7/8 | 5 1/2 | 21 1/4 | Four 1 1/4 | 372 |
| 9 1/2 9 15/16 10 240 mm 250 mm | S1 BCH 908 S1 BCH 915 S1 BCH 1000 S1 BCH 240mm S1 BCH 250mm | PH 15 | 11 1/2 | 27 | 9 | 1 3/4 | 19 | 20 1/2 | 5 1/2 | 23 | Four 1 1/4 | 512 |
| 10 1/2 10 15/16 11 260 mm 280 mm | S1 BCH 1008 S1 BCH 1015 S1 BCH 1100 S1 BCH 260mm S1 BCH 280mm | PH 16 | 12 1/4 | 28 1/2 | 9 | 1 7/8 | 20 1/4 | 21 3/4 | 5 1/2 | 24 1/2 | Four 1 1/4 | 605 |
| 11 1/2 11 15/16 12 300 mm | S1 BCH 1108 S1 BCH 1115 S1 BCH 1200 S1 BCH 300mm | PH 17 | 13 1/2 | 30 | 10 | 2 | 22 1/4 | 23 3/4 | 7 | 26 3/4 | Four 1 1/4 | 742 |
| 12 1/2 13 320 mm | S1 BCH 1208 S1 BCH 1300 S1 BCH 320mm | PH 18 | 14 1/2 | 32 | 10 | 2 1/8 | 23 3/4 | 25 1/4 | 7 | 29 | Four 1 1/2 | 920 |
| 14 340 mm | S1 BCH 1400 S1 BCH 340mm | PH 19 | 15 1/4 | 33 1/2 | 10 | 2 1/4 | 25 | 26 1/2 | 6 1/2 | 30 1/2 | Four 1 1/2 | 1,100 |
| 15 360 mm 380 mm | S1 BCH 1500 S1 BCH 360mm S1 BCH 380mm | PH 20 | 15 5/8 | 35 1/2 | 10 | 2 3/8 | 25 7/8 | 27 3/8 | 6 1/2 | 30 1/4 | Four 1 1/2 | 1,150 |
| 15 3/4 16 400 mm | S1 BCH 1512 S1 BCH 1600 S1 BCH 400mm | PH 116 | 17 | 37 | 10 | 2 5/8 | 27 11/16 | 29 5/16 | 6 9/16 | 34 1/16 | Four 1 1/2 | 1,200 |

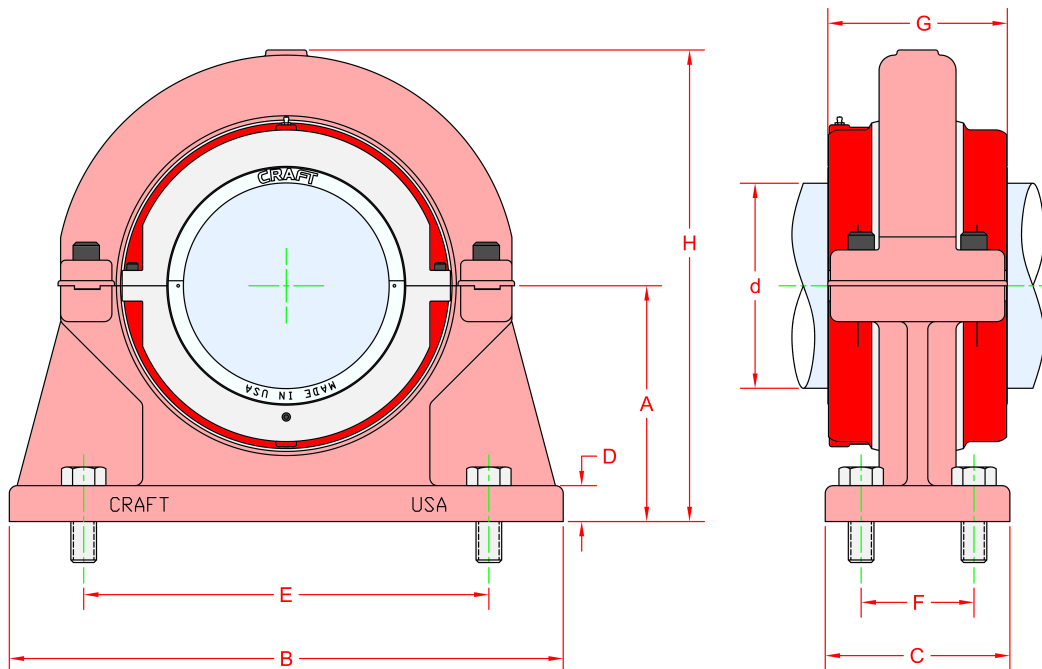
* Specify Suffix – FL for float bearing,
HD for held bearing

** Base to center height can be altered upon request

Special application bearings are available upon request.

‡ Housing width only

Dimensions in inches
Normal operating temperature for
standard bearings is 32°F to 212°F



Cartridge Assembly

| Shaft Diameter | Cartridge* Assembly | Cartridge | L | G‡ | Weight lbs. | Grease Capacity |
|----------------------------------------------|----------------------------------------------------------------------|-----------|--------|--------|-------------|-----------------|
| 6 7/16 6 1/2 160 mm 165 mm | S1 BC 607 S1 BC 608 S1 BC 160mm S1 BC 165mm | S1 C 608 | 12 1/4 | 7 9/16 | 110 | 2.1 lbs |
| 6 11/16 6 15/16 7 170 mm 180 mm | S1 BC 611 S1 BC 615 S1 BC 700 S1 BC 170mm S1 BC 180mm | S1 C 700 | 12 3/4 | 7 7/8 | 137 | 2.4 lbs |
| 7 1/2 7 15/16 8 190 mm 200 mm | S1 BC 708 S1 BC 715 S1 BC 800 S1 BC 190mm S1 BC 200mm | S1 C 800 | 14 1/8 | 7 7/8 | 151 | 3.2 lbs |
| 8 1/2 8 15/16 9 220 mm | S1 BC 808 S1 BC 815 S1 BC 900 S1 BC 220mm | S1 C 900 | 15 1/4 | 8 1/2 | 174 | 3.3 lbs |
| 9 1/2 9 15/16 10 240 mm 250 mm | S1 BC 908 S1 BC 915 S1 BC 1000 S1 BC 240mm S1 BC 250mm | S1 C 1000 | 16 1/2 | 8 3/4 | 227 | 4.2 lbs |
| 10 1/2 10 15/16 11 260 mm 280 mm | S1 BC 1008 S1 BC 1015 S1 BC 1100 S1 BC 260mm S1 BC 280mm | S1 C 1100 | 17 7/8 | 9 1/8 | 279 | 4.2 lbs |
| 11 1/2 11 15/16 12 300 mm | S1 BC 1108 S1 BC 1115 S1 BC 1200 S1 BC 300mm | S1 C 1200 | 19 1/4 | 9 3/4 | 378 | 4.4 lbs |
| 12 1/2 13 320 mm | S1 BC 1208 S1 BC 1300 S1 BC 320mm | S1 C 1300 | 20 3/4 | 11 3/4 | 441 | 6.0 lbs |
| 14 340 mm | S1 BC 1400 S1 BC 340mm | S1 C 1400 | 21 1/2 | 10 1/2 | 376 | 6.7 lbs |
| 15 360 mm 380 mm | S1 BC 1500 S1 BC 360mm S1 BC 380mm | S1 C 1500 | 22 1/2 | 11 | 486 | 7 lbs |
| 15 3/4 16 400 mm | S1 BC 1512 S1 BC 1600 S1 BC 400mm | S1 C 1600 | 23 3/4 | 11 1/8 | 578 | 8 lbs |

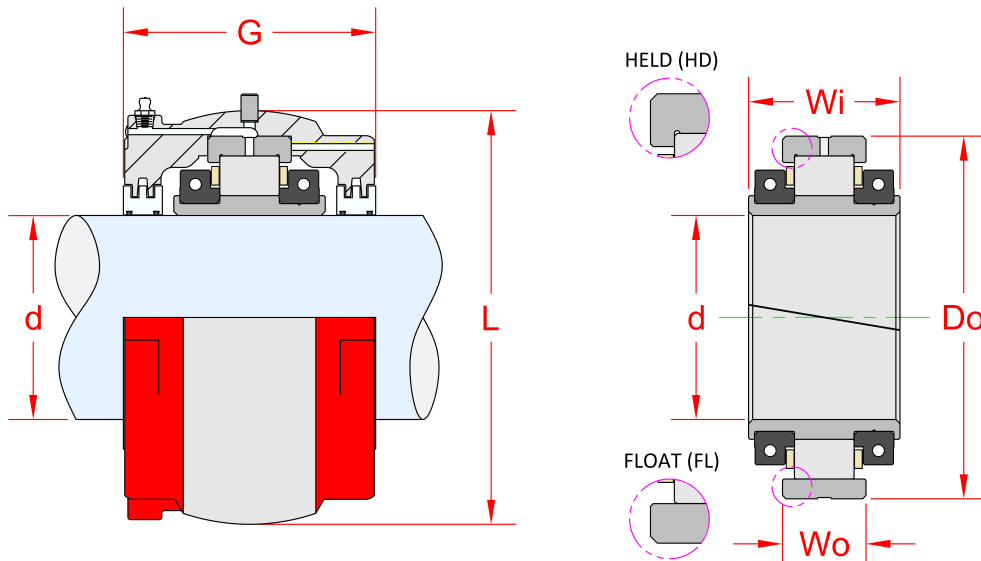
* Specify Suffix – FL for float bearing,
HD for held bearing
** Based on Axial Capacity at 100 RPM.

‡ Length through bore.

Dimensions in inches

Roller Bearing

| Bearing* | Bearing Rating lbs. | | | Max RPM | Do | Wi | Wo | Weight lbs. |
|-----------------------------------------------------------------|---------------------|-----------|------------|---------|-------|-------|-------|-------------|
| | Dynamic Cr | Static Co | Axial Ca** | | | | | |
| S1 B 607 S1 B 608 S1 B 160mm S1 B 165mm | 97258 | 159049 | 7993 | 1550 | 10.75 | 4.291 | 2.375 | 47 |
| S1 B 611 S1 B 615 S1 B 700 S1 B 170mm S1 B 180mm | 104510 | 178085 | 8445 | 1465 | 11.25 | 4.291 | 2.185 | 46 |
| S1 B 708 S1 B 715 S1 B 800 S1 B 190mm S1 B 200mm | 110607 | 198444 | 8459 | 1320 | 12.25 | 4.291 | 2.375 | 50 |
| S1 B 808 S1 B 815 S1 B 900 S1 B 220mm | 121869 | 223077 | 8566 | 1190 | 13.5 | 4.528 | 2.5 | 63 |
| S1 B 908 S1 B 915 S1 B 1000 S1 B 240mm S1 B 250mm | 136054 | 266300 | 9280 | 1080 | 14.75 | 4.803 | 2.625 | 82 |
| S1 B 1008 S1 B 1015 S1 B 1100 S1 B 260mm S1 B 280mm | 156486 | 303690 | 9679 | 990 | 16 | 5.039 | 2.719 | 100 |
| S1 B 1108 S1 B 1115 S1 B 1200 S1 B 300mm | 163906 | 331580 | 9743 | 915 | 17.25 | 5.625 | 2.938 | 123 |
| S1 B 1208 S1 B 1300 S1 B 320mm | 177820 | 363370 | 10072 | 856 | 18.26 | 5.352 | 2.937 | 126 |
| S1 B 1400 S1 B 340mm | 176733 | 367612 | 9510 | 805 | 19.25 | 5.352 | 2.937 | 139 |
| S1 B 1500 S1 B 360mm S1 B 380mm | 203501 | 436765 | 10540 | 753 | 20.5 | 5.509 | 3 | 151 |
| S1 B 1512 S1 B 1600 S1 B 400mm | 204980 | 449532 | 10733 | 713 | 21.5 | 5.509 | 3 | 160 |



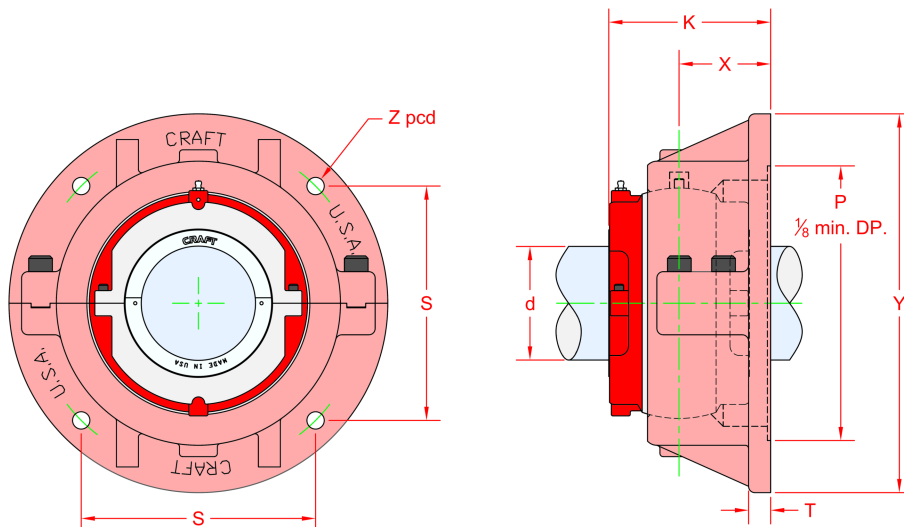
Flange Unit

BEARING DIMENSIONS

| Shaft Diameter | Complete* Component | Flange Housing | Y | K | X | Z | S | T | P | Bolts | Weight lbs. |
|----------------------------------------------------------------|------------------------------------------------------------------------------------------------------|----------------|--------|---------|-------|--------|----------|-----|--------|----------|-------------|
| 2 3/16 2 1/4 2 7/16 2 1/2 55 mm 60 mm 65 mm | S1 BCF 203 S1 BCF 204 S1 BCF 207 S1 BCF 208 S1 BCF 55mm S1 BCF 60mm S1 BCF 65mm | FH 3 | 10 1/4 | 4 11/16 | 2 5/8 | 8 9/16 | 6 1/16 | 5/8 | 6 9/16 | Four 1/2 | 37 |
| 2 11/16 2 3/4 2 15/16 3 70 mm 75 mm | S1 BCF 211 S1 BCF 212 S1 BCF 215 S1 BCF 300 S1 BCF 70mm S1 BCF 75mm | FH 4 | 11 1/4 | 5 1/8 | 2 7/8 | 9 9/16 | 6 3/4 | 5/8 | 7 9/16 | Four 1/2 | 53 |
| 3 3/16 3 1/4 3 7/16 3 1/2 80 mm 85 mm 90 mm | S1 BCF 303 S1 BCF 304 S1 BCF 307 S1 BCF 308 S1 BCF 80mm S1 BCF 85mm S1 BCF 90mm | FH 5 | 13 | 5 13/16 | 3 1/8 | 10 3/4 | 7 5/8 | 3/4 | 8 1/2 | Four 1/2 | 80 |
| 3 11/16 3 3/4 3 15/16 4 100 mm 105 mm | S1 BCF 311 S1 BCF 312 S1 BCF 315 S1 BCF 400 S1 BCF 100mm S1 BCF 105mm | FH 6 | 14 | 6 | 3 3/8 | 11 7/8 | 8 3/8 | 3/4 | 9 5/8 | Four 5/8 | 94 |
| 4 3/16 4 1/4 4 7/16 4 1/2 110 mm 115 mm | S1 BCF 403 S1 BCF 404 S1 BCF 407 S1 BCF 408 S1 BCF 110mm S1 BCF 115mm | FH 7 | 15 | 6 7/16 | 3 5/8 | 13 1/8 | 9 1/4 | 7/8 | 10 7/8 | Four 5/8 | 122 |
| 4 11/16 4 3/4 4 15/16 5 120 mm 125 mm 130 mm | S1 BCF 411 S1 BCF 412 S1 BCF 415 S1 BCF 500 S1 BCF 120mm S1 BCF 125mm S1 BCF 130mm | FH 8 | 17 | 6 15/16 | 3 7/8 | 15 1/8 | 10 11/16 | 1 | 12 1/2 | Four 7/8 | 165 |
| 5 3/16 5 1/4 5 7/16 5 1/2 135 mm 140 mm | S1 BCF 503 S1 BCF 504 S1 BCF 507 S1 BCF 508 S1 BCF 135mm S1 BCF 140mm | FH 9 | 17 1/2 | 7 1/8 | 3 7/8 | 15 1/8 | 10 11/16 | 1 | 12 1/2 | Four 7/8 | 181 |
| 5 15/16 6 150 mm 155 mm 160 mm | S1 BCF 515 S1 BCF 600 S1 BCF 150mm S1 BCF 155mm S1 BCF 160mm | FH 10 | 18 1/2 | 7 15/16 | 4 1/2 | 16 1/4 | 11 1/2 | 1 | 13 5/8 | Four 1 | 215 |

*Specify Suffix – FL for float bearing,
HD for held bearing
Special application bearings are available upon request.

Dimensions in inches
Normal operating temperature for
standard bearings is 32°F to 212°F



S1 Series Large Bore Flange Block

Flange Unit

BEARING DIMENSIONS

| Shaft Diameter | Complete* Component | Flange Housing | Y | K | X | Z | S | T | P | Bolts | Weight lbs. |
|--------------------------------------------|-------------------------------------------------------------------------|----------------|--------|---------|-------|--------|---------|-------|--------|-------------|-------------|
| 6 7/16 6 1/2 160 mm 165 mm | S1 BCF 607 S1 BCF 608 S1 BCF 160mm S1 BCF165mm | FH 11 | 19 1/2 | 7 15/16 | 4 1/8 | 16 3/4 | 11 7/8 | 1 | 13 7/8 | Four 1 | 242 |
| 6 15/16 7 170 mm 180 mm | S1 BCF 615 S1 BCF 700 S1 BCF 170mm S1 BCF 180mm | FH 12 | 20 | 8 3/16 | 4 1/4 | 17 1/4 | 12 3/16 | 1 1/8 | 14 3/8 | Four 1 | 265 |
| 7 1/2 7 15/16 8 190 mm 200 mm | S1 BCF 708 S1 BCF 715 S1 BCF 800 S1 BCF 190mm S1 BCF 200mm | FH 13 | 21 | 8 3/16 | 4 1/4 | 18 5/8 | 13 3/16 | 1 1/4 | 15 3/4 | Four 1 | 306 |
| 8 1/2 8 15/16 9 220 mm | S1 BCF 808 S1 BCF 815 S1 BCF 900 S1 BCF 220mm | FH 14 | 23 | 8 7/8 | 4 5/8 | 20 1/8 | 14 1/4 | 1 3/8 | 17 | Four 1 1/4 | 365 |
| 9 1/2 9 15/16 10 240 mm 250 mm | S1 BCF 908 S1 BCF 915 S1 BCF 1000 S1 BCF 240mm S1 BCF 250mm | FH 15 | 24 | 9 | 4 5/8 | 21 3/8 | 15 1/16 | 1 3/8 | 18 1/4 | Four 1 1/4 | 407 |
| 10 1/2 11 270 mm 280 mm | S1 BCF 1008 S1 BCF 1100 S1 BCF 270mm S1 BCF 280mm | FH 16 | 26 | 9 7/16 | 4 7/8 | 23 | 16 1/4 | 1 1/2 | 19 7/8 | Four 1 1/4 | 521 |
| 11 1/2 12 290 mm 300 mm | S1 BCF 1108 S1 BCF 1200 S1 BCF 290mm S1 BCF 300mm | FH 17 | 28 | 10 1/8 | 5 1/4 | 24 5/8 | 17 7/16 | 1 1/2 | 21 1/4 | Four 1 1/4 | 642 |
| 12 1/2 13 320 mm | S1 BCF 1208 S1 BCF 1300 S1 BCF 320mm | FH 18 | 32 | 11 3/8 | 6 | 27 1/2 | 19 7/16 | 1 1/2 | 23 | Four 1 1/2 | 840 |
| 14 340 mm | S1 BCF 1400 S1 BCF 340mm | FH 19 | 33 1/2 | 10 7/8 | 5 1/2 | 29 | 20 1/2 | 1 5/8 | 24 | Four 1 1/2 | 820 |
| 15 360 mm 380 mm | S1 BCF 1500 S1 BCF 360mm S1 BCF 380mm | FH 115 | 36 | 12 | 6 1/2 | 31 1/2 | 22 9/32 | 1 3/4 | 26 1/2 | Eight 1 1/4 | 1090 |
| 16 400 mm | S1 BCF 1600 S1 BCF 400mm | FH 116 | 36 | 12 1/8 | 6 1/2 | 31 1/2 | 22 9/32 | 1 3/4 | 26 1/2 | Eight 1 1/4 | 1110 |

*Specify Suffix – FL for float bearing,
HD for held bearing
Special application bearings are available upon request.

Dimensions in inches
Normal operating temperature for
standard bearings is 32°F to 212°F

