

**Mounted Unit**

**BEARING DIMENSIONS**

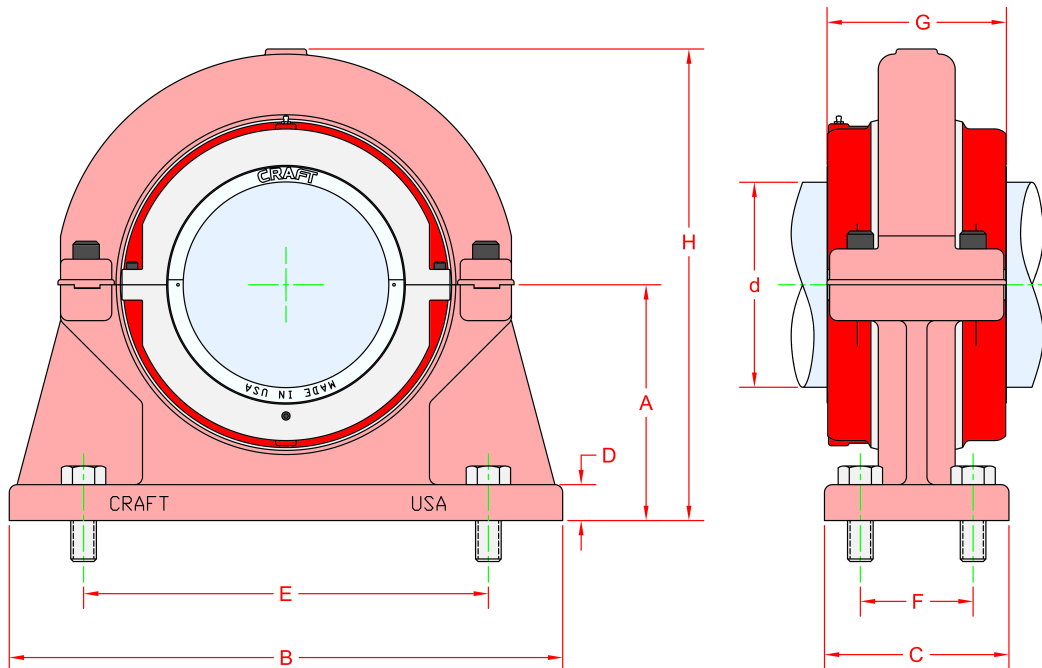
Shaft Diameter	Complete* Component	Pedestal Housing	A**	B	C‡	D	E		F	H	Bolts	Weight lbs.
							Minimum	Maximum				
5 15/16 6 150 mm 155 mm	S3 BCH 515 S3 BCH 600 S3 BCH 150mm S3 BCH 155mm	PH 310	10	26 1/4	8	2 1/4	21 1/4	22 3/4	4 3/4	21	Four 1 1/4	698
6 7/16 6 1/2 160 mm 170 mm	S3 BCH 607 S3 BCH 608 S3 BCH 160mm S3 BCH 170mm	PH 311	10 1/2	29	9	2 3/8	24	25 1/2	5 1/2	22 1/2	Four 1 1/4	788
6 15/16 7 180 mm	S3 BCH 615 S3 BCH 700 S3 BCH 180mm	PH 312	11	30	10	2 1/2	24 1/4	25 3/4	6	22 7/8	Four 1 1/4	890
7 15/16 8 190 mm 200 mm	S3 BCH 715 S3 BCH 800 S3 BCH 190mm S3 BCH 200mm	PH 313	12 1/4	33	10 1/2	2 5/8	24 1/4	25 3/4	6 3/4	25 3/4	Four 1 1/2	1189
8 1/2 9 220 mm 230 mm	S3 BCH 808 S3 BCH 900 S3 BCH 220mm S3 BCH 230mm	PH 314	13 3/4	37 1/2	11	3	28 1/4	29 3/4	7	28 3/4	Four 1 3/4	1659
9 1/2 10 240 mm 260 mm	S3 BCH 908 S3 BCH 1000 S3 BCH 240mm S3 BCH 260mm	PH 315	15 1/2	36	16	3	25 5/8	27 1/8	12	31	Four 1 3/4	1890
11 280 mm	S3 BCH 1100 S3 BCH 280mm	PH 316	14 1/2	37	11	2 3/4	19 28 1/2	20 1/2 30	7	30 3/4	Eight 1 1/2	1386
11 1/2 12 300 mm	S3 BCH 1108 S3 BCH 1200 S3 BCH 300mm	PH 317	18	43	16 1/2	3	25 3/4 33 3/4	27 1/4 35 1/4	13	36	Eight 1 1/2	2625
13 320 mm	S3 BCH 1300 S3 BCH 320mm	PH 318	20 13/32	47	14	3	29 3/16 37 11/16	30 3/4 39 1/4	10 1/2	40 3/4	Eight 1 1/2	2725
14 340 mm 360 mm	S3 BCH 1400 S3 BCH 340mm S3 BCH 360mm	PH 319	18 1/2	48	12 1/2	3 1/4	24 7/8 35 3/8	27 37 1/2	7 1/2	39 1/2	Eight 1 1/2	2530
15 380 mm	S3 BCH 1500 S3 BCH 380mm	PH 320	22	50	15 1/2	3 9/16	30 11/16 39 11/16	32 3/4 41 3/4	11 1/2	44	Eight 1 1/2	3700

\* Specify Suffix – FL for float bearing, HD for held bearing

\*\* Base to center height can be altered upon request

Special application bearings are available upon request.  
‡ Housing width only

Dimensions in inches  
Normal operating temperature for standard bearings is 32°F to 212°F



## Cartridge Assembly

Shaft Diameter	Cartridge* Assembly	Cartridge	L	G‡	Weight lbs.	Grease Capacity
5 15/16 6 150 mm 155 mm	S3 BC 515 S3 BC 600 S3 BC 150mm S3 BC 155mm	S3 C 600	15 1/2	10	305	6.2 lbs
6 7/16 6 1/2 160 mm 170 mm	S3 BC 607 S3 BC 608 S3 BC 160mm S3 BC 170mm	S3 C 608	16 5/8	10 9/16	368	8.4 lbs
6 15/16 7 180 mm	S3 BC 615 S3 BC 700 S3 BC 180mm	S3 C 700	17	11 3/16	398	9.7 lbs
7 15/16 8 190 mm 200 mm	S3 BC 715 S3 BC 800 S3 BC 190mm S3 BC 200mm	S3 C 800	19 1/4	11 13/16	514	12.3 lbs
8 1/2 9 220 mm 230 mm	S3 BC 808 S3 BC 900 S3 BC 220mm S3 BC 230mm	S3 C 900	21 1/2	13 3/16	719	15.2 lbs
9 1/2 10 240 mm 260 mm	S3 BC 908 S3 BC 1000 S3 BC 240mm S3 BC 260mm	S3 C 1000	22	13 3/16	747	18.4 lbs
11 280 mm	S3 BC 1100 S3 BC 280mm	S3 C 1100	22 1/2	14 1/16	927	22.3 lbs
11 1/2 12 300 mm	S3 BC 1108 S3 BC 1200 S3 BC 300mm	S3 C 1200	25 1/4	14 9/16	1123	24.7 lbs
13 320 mm	S3 BC 1300 S3 BC 320mm	S3 C 1300	28 1/4	16 1/2	1300	26.5 lbs
14 340 mm 360 mm	S3 BC 1400 S3 BC 340mm S3 BC 360mm	S3 C 1400	27 3/4	17	1550	33.5 lbs
15 380 mm	S3 BC 1500 S3 BC 380mm	S3 C 1500	30 1/2	17 1/4	1800	35.5 lbs

\* Specify Suffix – FL for float bearing,  
HD for held bearing  
\*\* Based on Axial Capacity at 100 RPM.

‡ Length through bore.

Dimensions in inches

## Roller Bearing

Bearing*	Bearing Rating lbs.			Max RPM	Do	Wi	Wo	Weight lbs.
	Dynamic Cr	Static Co	Axial Ca**					
S3 B 515 S3 B 600 S3 B 150mm S3 B 155mm	237,320	339,895	15,892	1,407	13	6.299	3.813	131
S3 B 607 S3 B 608 S3 B 160mm S3 B 170mm	237,082	360,353	15,455	1,305	14	6.72	4.063	169
S3 B 615 S3 B 700 S3 B 180mm	250,835	385,050	15,607	1,227	14.75	7.008	4.28	184
S3 B 715 S3 B 800 S3 B 190mm S3 B 200mm	296,110	461,510	16,940	1,105	16.5	7.52	4.656	244
S3 B 808 S3 B 900 S3 B 220mm S3 B 230mm	367,235	585,970	18,644	972	18.5	8.346	5.185	342
S3 B 908 S3 B 1000 S3 B 240mm S3 B 260mm	366,590	592,300	17,815	920	19	8.307	4.906	347
S3 B 1100 S3 B 280mm	434,343	750,975	19,360	870	19.5	9.606	5.5	428
S3 B 1108 S3 B 1200 S3 B 300mm	442,230	763,473	19,520	785	22	9.606	5.5	551
S3 B 1300 S3 B 320mm	519,800	876,970	20,385	710	24.5	10.709	6.315	710
S3 B 1400 S3 B 340mm S3 B 360mm	572,777	1,021,430	21,750	700	24.25	10.984	6.22	710
S3 B 1500 S3 B 380mm	632,590	1,137,590	22,840	636	27	11.496	6.563	960

